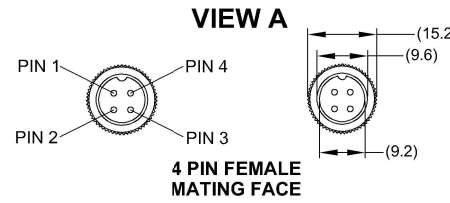
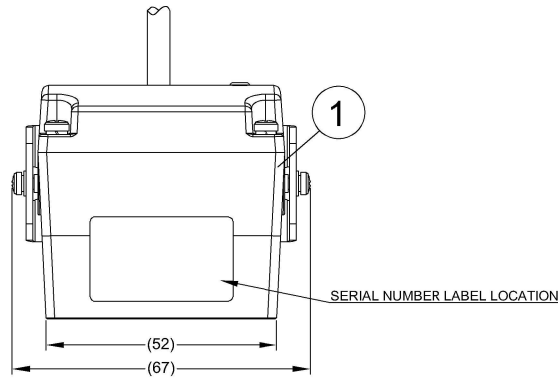
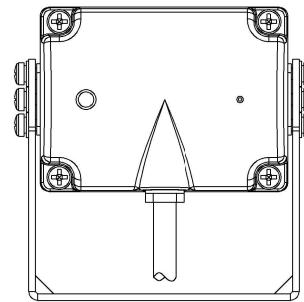
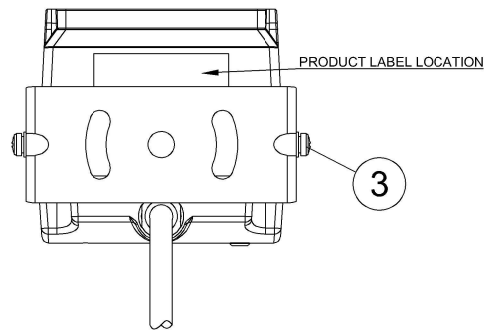
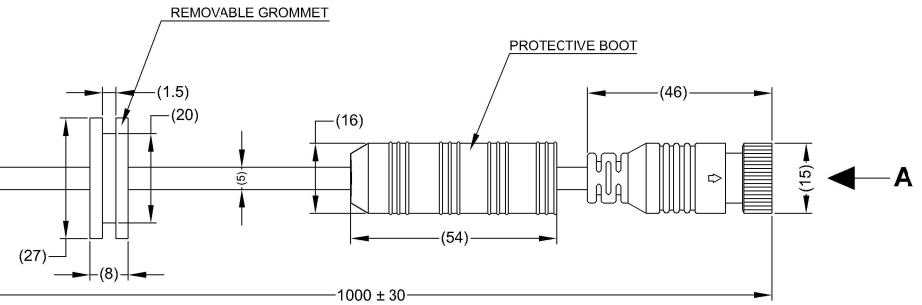
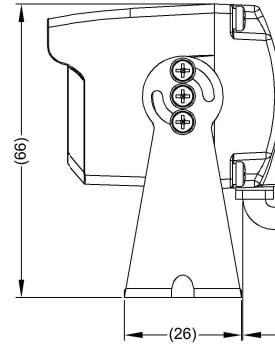
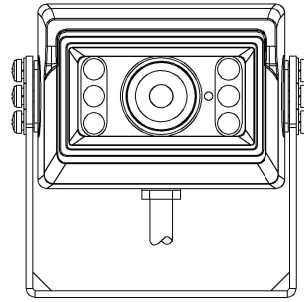
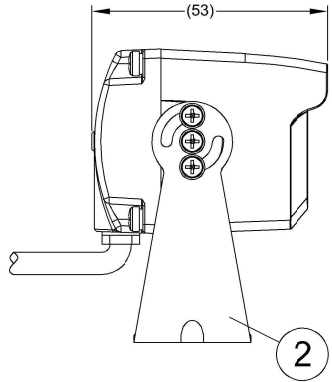
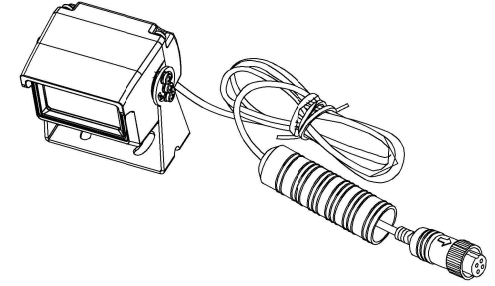


Revision Notes.				
R1 -				
APA: -	Drawn:-	Checked:-	Approved:-	Date: -



PIN #	WIRE COLOUR	DESCRIPTION
1	RED	+12V
2	BLACK/SHIELD	GND
3	BLACK/SHIELD	GND
4	YELLOW	VIDEO



VBV-620C (3683C) KIT CONTENTS:

ITEM	PART NO.	MODEL NO.	QTY	DESCRIPTION
①	3895C	VBV-620C-C	1	VBV-620C-C PAL CAMERA ONLY
②	3893A	VBV-62XC-BKT	1	VBV-62XC-BKT CAMERA BRACKET
③	3896	VBV-62XC-FIX	1	VBV-62XC-FIX CAMERA FIXING KIT
④	5374A	VBV-62XC-IG	1	VBV-62XC-IG INSTALLATION GUIDE (NOT SHOWN)

VBV-621C (3684C) KIT CONTENTS:

ITEM	PART NO.	MODEL NO.	QTY	DESCRIPTION
①	3919C	VBV-621C-C	1	VBV-621C-C NTSC CAMERA ONLY
②	3893A	VBV-62XC-BKT	1	VBV-62XC-BKT CAMERA BRACKET
③	3896	VBV-62XC-FIX	1	VBV-62XC-FIX CAMERA FIXING KIT
④	5374A	VBV-62XC-IG	1	VBV-62XC-IG INSTALLATION GUIDE (NOT SHOWN)

- NOTES:**
- REFER TO PRODUCT SPECIFICATIONS FOR PRODUCT SPECIFICATIONS.
 - REFER TO COMPONENT DRAWINGS FOR COMPONENT DETAILS.
 - FOR LABELING AND PACKAGING DETAIL REFER TO MASTER BOM

PROPRIETARY NOTICE
 THIS DESIGN AND TECHNICAL INFORMATION APPEARING ON THIS DRAWING IS THE PROPERTY OF BRIGADE ELECTRONICS, AND IS DISCLOSED IN CONFIDENCE. IT IS NOT TO BE COPIED, REPRODUCED, REVEALED TO OR EXPROPRIATED BY OTHERS, EITHER IN WHOLE OR IN PART WITHOUT THE EXPRESS WRITTEN CONSENT OF BRIGADE ELECTRONICS.

BRIGADE
 www.brigade-electronics.com

Assembly Pl Approval J. LAM	Approved by S. LAVER	Checked by J. STEWART	Drawn by S. GOVENDER
Angle of Projection 	Units mm	Scale N/A	Released 28/06/21
Status RELEASED	Assembly Ref VBV-62XC		
Part No SEE TABLES	BE-004569-00-21		